

ILLURE



H<sup>2</sup>O LED FLEX



INTERNATIONAL LIGHTING



Class III



One Bin Only



IP68



LM-80



CE



UL



RoHS



UV  
Protected



Corrosion  
Resistant



Dirt  
Resistant



Saltwater  
Resistant



IK08



3  
years  
warranty



5  
years  
warranty



INTERNATIONAL LIGHTING

**Welcome to the ILLURE H<sup>2</sup>O LED FLEX range.**

ILLURE H<sup>2</sup>O LED FLEX has been specifically designed to .....

<b>ILLURE H<sup>2</sup>O LED FLEX</b> .....	<b>8</b>
FLEX 06 .....	10
FLEX 08 .....	10
FLEX 09 .....	10
FLEX 10 .....	10
FLEX 15 .....	10
FLEX 16 .....	10
FLEX 17 .....	10
FLEX 18 .....	10
FLEX 21 .....	16
<b>ILLURE H<sup>2</sup>O LED FLEX Control System</b> .....	<b>22</b>
<b>ILLURE H<sup>2</sup>O LED FLEX Accessories</b> .....	<b>22</b>



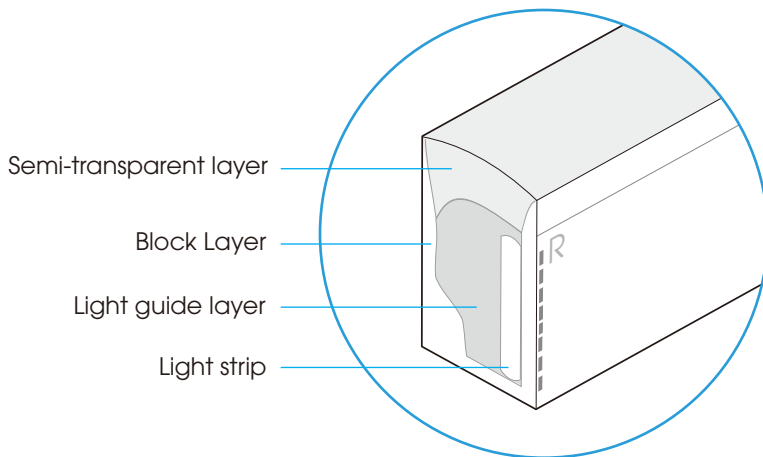
The H<sup>2</sup>O LED Flex is made using superior materials. We adopt first-class imported calendaring copper for FPC, the thickness of copper reached to 4OZ, which is featured by its good conductivity and folding resistance.

LED for standard orders are used from China top package manufactures, which adopt

Epistar chip for all white colors. The package and glue are cater-designed for outdoor products.

The housing material and body of the H<sup>2</sup>O LED Flex are made using modified PVC or silicone materials which are specially designed for H<sup>2</sup>O LED Flex to withstand outdoor harsh environments.

### Optional with PVC and Silicone



#### PVC

- UV resistant
- solvent resistant
- flame resistant
- saltwater resistant
- dirt resistant

#### Silicone

- UV resistant
- low & high temperature resistant
- saltwater resistant

### 40Z FPC adopted

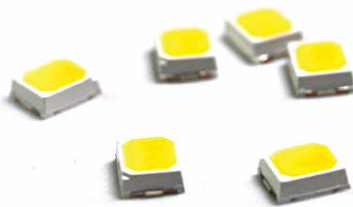


Optimized heat transfer to housing to ensure life span and color consistency.

Minimize the voltage drop to ensure same brightness from 0.1m to 20 meters.

Reliable bending performance.

### LED



Chips for standard products made by Epistar and packaged by ShenZhen top manufactures CREE, Nichia are optional for Mono series. We keep One bin Only by requesting from LED supplier and using Kingdee ERP system for management, Furthermore, CRI95, R9 96, 3 Step MacAdam LED are optional.

### Housing Material

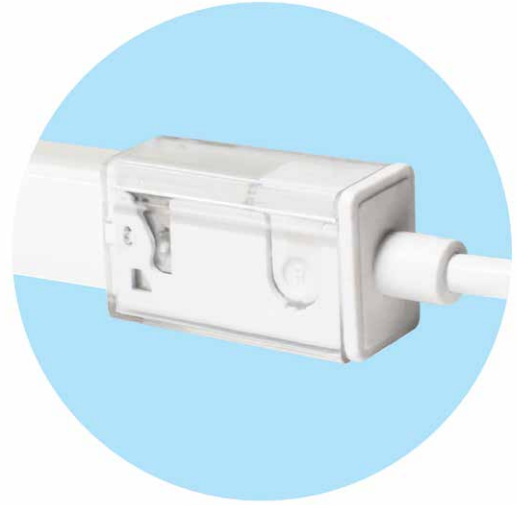


PVC or silicon Housing optional for both materials, there are high quality and low end one in the market we selected and catered the best material for LED neon strip usage, which is UV stable, corrosion resistant solvent resistant and saltwater resistant.



### DIY Connectors

- ✓ Flexible customization, can be cut and re-connected by end-user
- ✓ IP67 waterproof rating for normal outdoor environment
- ✓ More suitable for retail and end-user market
- ✗ Can not be used under water
- ✗ Reliability varies from different workers
- ✗ Seamless joint can not be achieved



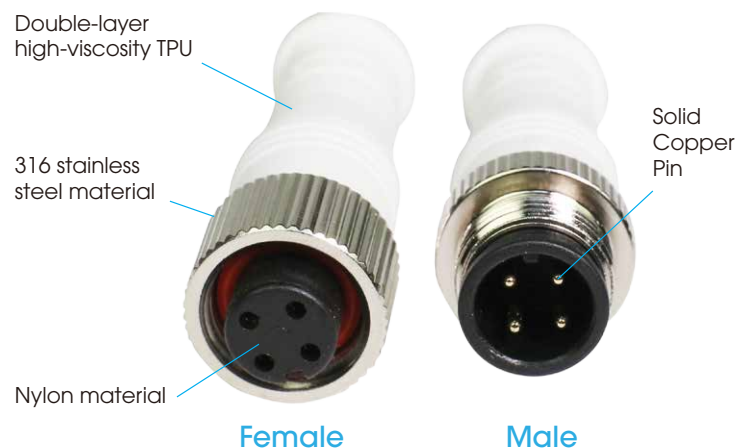
### Mold Injection Connectors

- ✓ IP68 waterproof rating, suitable for extreme harsh applications like pool, salt, and seaside.
- ✓ High reliability, pre-installed in factory with various quality tests before shipment.
- ✓ Cost-saving for installation, contractors do not need to spend labor and time on connector assembling.
- ✓ Seamless joint realized by side and bottom cable entry.
- ✗ Can not DIY
- ✗ Length needs to be provided before order

### Female and Male Connectors

The male/female waterproof connector is made by two layers of injection molding with high viscosity TPU and high density nylon material inside.

The quality control is conducted by blow test with air in water and the result should be without any bubbles. After locked by its stainless steel locking ring, it has outstanding reliability and waterproof performance with IP68 rating.



# WATERPROOF CABLE



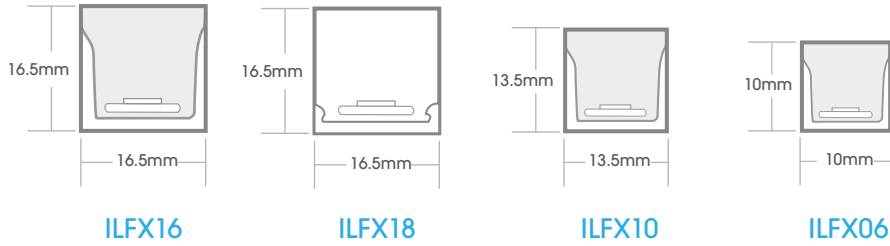
This stainless steel waterproof device is a very important waterproof accessory for outdoor bare wire products.

The theory is, by breaking the copper wire, re-welding with interrupter, then sealing the welding joint by mold-injecting high density and high viscosity material, the LED neon strip is completely isolated from the external wiring, realising that the wiring cannot be penetrated with any air or moisture, in spite of the pressure and temperature created by the H<sup>2</sup>O Flex strip.



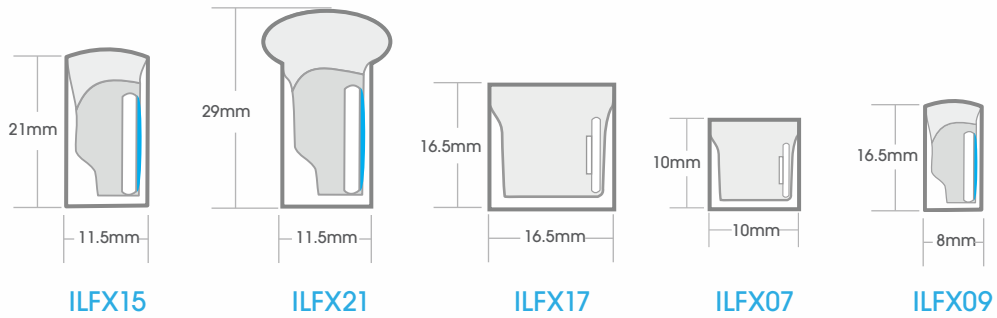
### Topview

Vertical Bending



### Sideview

Horizontal Bending





H<sup>2</sup>O LED FLEX-50





**Material:**  
PVC/Silicon Optional



**Waterproof Rating:**  
IP68



**Bending Direction:**  
Side



**Beam Angle:**  
120°



**Min. Bending:**  
80mm



**Installation Temp:**  
0°C - 55°C



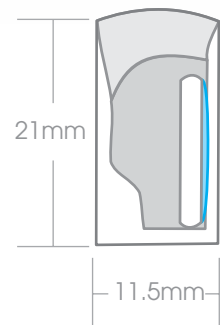
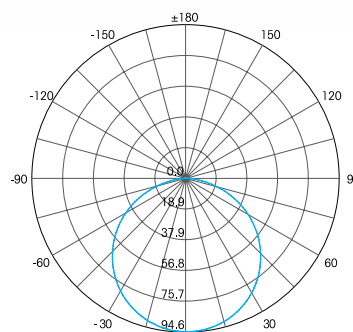
**Ambient Temp:**  
-25°C - 55°C



**Max Weight:**  
0.40kg/m



**Dimmable:**  
DALI, 0-10V, DMX, Triac



## H<sup>2</sup>O LED FLEX-50 MONO COLOUR

### ILFX50-24-15W-120-H

Input Voltage:	24V
Watts/m:	15W
Dimming:	Yes
LED Type:	SMD5050
Beam Angle:	120
LED Chips/m:	72
Cutting Length (LED QTY):	6
Cutting Length (mm):	83.3
Max Length (One Feed/m):	8

### Available Colors

2200K- 330lm	Green	230lm
2500K- 330lm	Blue	40lm
2700K- 330lm	Lemon Yellow	300lm
3000K- 330lm	Pink	180lm
3500K- 380lm		
4000K- 380lm		
5000K- 390lm		
5700K- 390lm		
6500K- 390lm		

### ILFX50-24-12W-120-H

Input Voltage:	24V
Watts/m:	12W
Dimming:	Yes
LED Type:	SMD5050
Beam Angle:	120
LED Chips/m:	60
Cutting Length (LED QTY):	6
Cutting Length (mm):	100
Max Length (One Feed/m):	10

### Available Colors

2200K- 280lm	Green	200lm
2500K- 280lm	Blue	35lm
2700K- 280lm	Lemon Yellow	250lm
3000K- 280lm	Pink	150lm
3500K- 330lm		
4000K- 330lm		
5000K- 350lm		
5700K- 350lm		
6500K- 350lm		



## H<sup>2</sup>O LED FLEX-50 MONO COLOUR

### ILFX50-24-7W-120-H

Input Voltage:	24V
Watts/m:	57.2W
Dimming:	Yes
LED Type:	SMD5051
Beam Angle:	120
LED Chips/m:	60
Cutting Length (LED QTY):	10
Cutting Length (mm):	166.7
Max Length (One Feed/m):	15

### Available Colors

Red	110lm
Amber	110lm
Orange	90lm

### ILFX50-24-5W-120-H

Input Voltage:	24V
Watts/m:	5W
Dimming:	Yes
LED Type:	SMD3528
Beam Angle:	120
LED Chips/m:	72
Cutting Length (LED QTY):	12
Cutting Length (mm):	166.7
Max Length (One Feed/m):	15

### Available Colors

2200K- 120lm	Green	80lm
2500K- 120lm	Blue	14lm
2700K- 120lm	Pink	60lm
3000K- 120lm	Red	44lm
3500K- 130lm	Amber	44lm
4000K- 130lm	Orange	35lm
5000K- 140lm		
5700K- 140lm		
6500K- 140lm		

### ILFX50-24-10W-120-H

Input Voltage:	24V
Watts/m:	10W
Dimming:	Yes
LED Type:	SMD2835
Beam Angle:	120
LED Chips/m:	72
Cutting Length (LED QTY):	6
Cutting Length (mm):	83.3
Max Length (One Feed/m):	15

### Available Colors

2200K- 280lm	Green	200lm
2500K- 280lm	Blue	35lm
2700K- 280lm	Lemon Yellow	250lm
3000K- 280lm	Pink	150lm
3500K- 330lm		
4000K- 330lm		
5000K- 350lm		
5700K- 350lm		
6500K- 350lm		

## H<sup>2</sup>O LED FLEX-50 TUNABLE WHITE

### ILFX50-24-15W-120-H-TW

Input Voltage:	24V
Watts/m:	15W
Dimming:	Yes
LED Type:	SMD2835
Beam Angle:	120
LED Chips/m:	120
Cutting Length (LED QTY):	12
Cutting Length (mm):	100
Max Length (One Feed/m):	10

### Available Colors

2200K + 5700K
2700K + 5700K
3000K + 5700K



## H<sup>2</sup>O LED FLEX-50 MULTIC

### ILFX50-24-12W-120-H-RGB

Input Voltage:	24V
Watts/m:	12W
Dimming:	Yes
LED Type:	SMD5050
Beam Angle:	120
LED Chips/m:	60
Cutting Length (LED QTY):	6
Cutting Length (mm):	100
Max Length (One Feed/m):	10

**Available Colors:** RGBW

### Available Colors

RGB  
2200K  
3000K  
4000K

### ILFX50-24-13W-120-H-RGB

Input Voltage:	24V
Watts/m:	13W
Dimming:	Yes
LED Type:	SMD5050
Beam Angle:	120
LED Chips/m:	72
Cutting Length (LED QTY):	6
Cutting Length (mm):	83.3
Max Length (One Feed/m):	10

**Available Colors:** RGB

### ILFX50-24-17W-72-H-RGBW

Input Voltage:	24V
Watts/m:	17W
Dimming:	Yes
LED Type:	SMD5050
Beam Angle:	120
LED Chips/m:	72
Cutting Length (LED QTY):	6
Cutting Length (mm):	83.3
Max Length (One Feed/m):	8

**Available Colors:** RGBW

## H<sup>2</sup>O LED FLEX-50 PIXEL CHASING

### ILFX50-24-15W-120-H-RGB-DMX

Input Voltage:	24V
Watts/m:	15W
Dimming:	DMX
LED Type:	SMD5050
Beam Angle:	120
LED Chips/m:	70
Cutting Length (LED QTY):	7
Cutting Length (mm):	100
Max Length (One Feed/m):	8

**Available Colors:** RGB  
3000K  
DW (10W/M)

### ILFX50-24-18W-120-H-RGBW-DMX

Input Voltage:	24V
Watts/m:	18W
Dimming:	DMX
LED Type:	SMD5050
Beam Angle:	120
LED Chips/m:	70
Cutting Length (LED QTY):	7
Cutting Length (mm):	100
Max Length (One Feed/m):	8

**Available Colors:** RGBW  
2200K  
3000K  
4000K

Be infinitely **flexible**  
and constantly **amazed...**

